

Nissan 4Cyl 12V Hall

Harness Required: E16 Ver 1.0 & E12 Ver 1.0

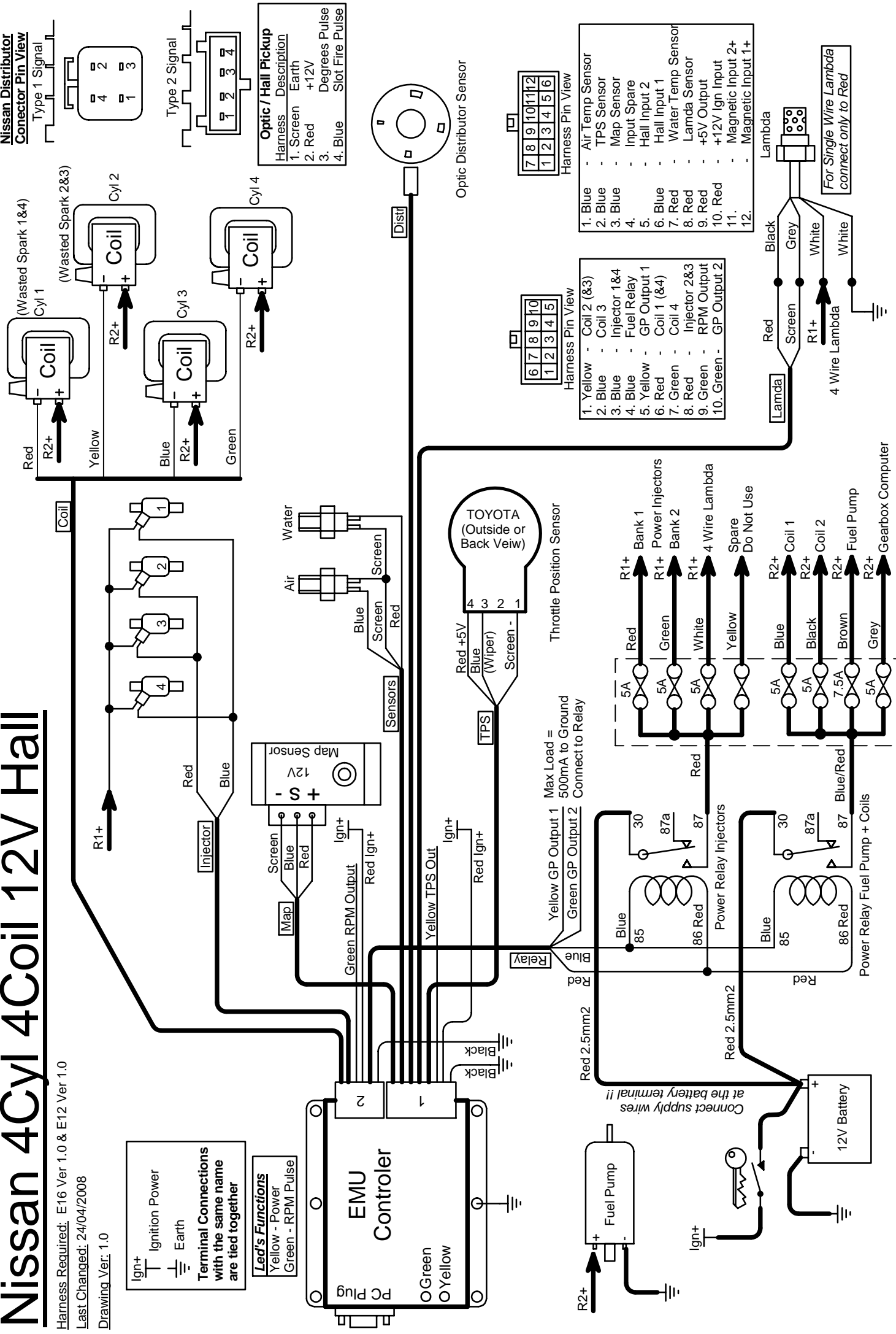
Last Changed: 24/04/2008

Drawing Ver: 1.0

Ign+ Ignition Power
Earth

Terminal Connections with the same name are tied together

Led's Functions
Yellow - Power
Green - RPM Pulse



Nissan Distributor Connector Pin View
Type 1 Signal

4	2	3
1	3	4

Type 2 Signal

1	2	3	4
4	3	2	1

Optic / Hall Pickup
Harness Description
1. Screen Earth
2. Red +12V
3. Degrees Pulse
4. Blue Slot Fire Pulse

Harness Pin View

7	8	9	10	11	12
1	2	3	4	5	6

1.	Blue	-	Air Temp Sensor
2.	Blue	-	TPS Sensor
3.	Blue	-	Map Sensor
4.	Blue	-	Input Spare
5.	Yellow	-	Hall Input 2
6.	Blue	-	Hall Input 1
7.	Red	-	Water Temp Sensor
8.	Red	-	Lambda Sensor
9.	Red	-	+5V Output
10.	Red	-	+12V Ign Input
11.	Red	-	Magnetic Input 2+
12.	Red	-	Magnetic Input 1+

Harness Pin View

6	7	8	9	10
1	2	3	4	5

1.	Yellow	-	Coil 2 (&3)
2.	Blue	-	Coil 3
3.	Blue	-	Injector 1&4
4.	Blue	-	Fuel Relay
5.	Yellow	-	GP Output 1
6.	Red	-	Coil 1 (&4)
7.	Green	-	Coil 4
8.	Red	-	Injector 2&3
9.	Green	-	RPM Output
10.	Green	-	GP Output 2

Lambda

Red	Black
Screen	Grey
R1+	White
Lambda	White

4 Wire Lambda
For Single Wire Lambda connect only to Red

TOYOTA (Outside or Back View)

4	3	2	1
---	---	---	---

Red +5V
Blue (Wiper)
Screen -

Throttle Position Sensor

Max Load = 500mA to Ground
Connect to Relay

